

Chapter 1

Demo problem: A two-dimensional Poisson problem with flux boundary conditions

In this document, we demonstrate how to solve a 2D Poisson problem with Neumann boundary conditions, using existing objects from the `omph-lib` library:

Two-dimensional model Poisson problem with Neumann boundary conditions

Solve

$$\sum_{i=1}^2 \frac{\partial^2 u}{\partial x_i^2} = f(x_1, x_2), \quad (1)$$

in the rectangular domain $D = \{(x_1, x_2) \in [0, 1] \times [0, 2]\}$. The domain boundary $\partial D = \partial D_{Neumann} \cup \partial D_{Dirichlet}$, where $\partial D_{Neumann} = \{(x_1, x_2) | x_1 = 1, x_2 \in [0, 2]\}$. On $\partial D_{Dirichlet}$ we apply the Dirichlet boundary conditions

$$u|_{\partial D_{Dirichlet}} = u_0, \quad (2)$$

where the function u_0 is given. On $\partial D_{Neumann}$ we apply the Neumann conditions

$$\frac{\partial u}{\partial n} \Big|_{\partial D_{Neumann}} = \frac{\partial u}{\partial x_1} \Big|_{\partial D_{Neumann}} = g_0, \quad (3)$$

where the function g_0 is given.

We provide a detailed discussion of the driver code [two_d_poisson_flux_bc.cc](#) which solves the problem for

$$u_0(x_1, x_2) = \tanh(1 - \alpha(x_1 \tan \Phi - x_2)), \quad (4)$$

$$f(x_1, x_2) = \sum_{i=1}^2 \frac{\partial^2 u_0}{\partial x_i^2}, \quad (5)$$

and

$$g_0 = \frac{\partial u_0}{\partial n} \Big|_{x_1=1} = \frac{\partial u_0}{\partial x_1} \Big|_{x_1=1}, \quad (6)$$

so that $u_0(x_1, x_2)$ is the exact solution of the problem. For large values of α the solution approaches a step function

$$u_{step}(x_1, x_2) = \begin{cases} -1 & \text{for } x_2 < x_1 \tan \Phi \\ 1 & \text{for } x_2 > x_1 \tan \Phi \end{cases}$$

and presents a serious challenge for any numerical method. The figure below compares the numerical and exact solutions for $\alpha = 1$ and $\Phi = 45^\circ$.

Shade and green mesh: exact solution
Red mesh: FE solution

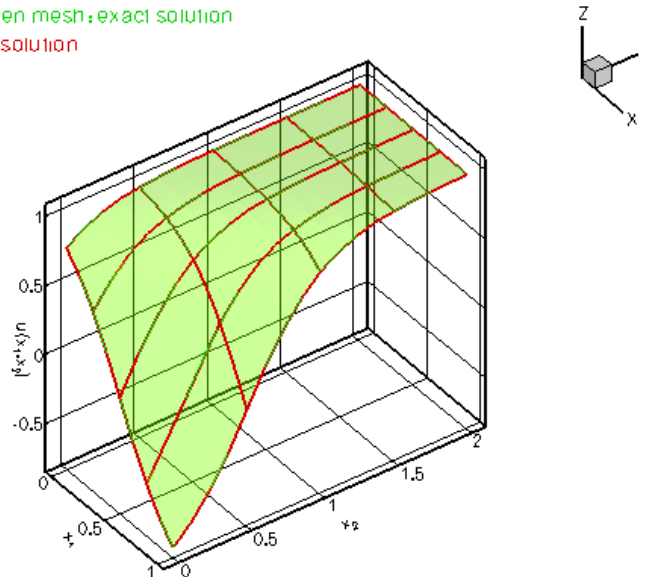


Figure 1.1 Plot of the solution

Most of the driver code is identical to the code that solves the [equivalent problem without Neumann boundary conditions](#). Therefore we only provide a detailed discussion of those functions that needed to be changed to accommodate the Neumann boundary conditions.

1.1 Global parameters and functions

As in the Dirichlet problem, we define the source function (5) and the exact solution (4), together with the problem parameters $\tan \Phi$ and α , in a namespace `TanhSolnForPoisson`. We add the function `TanhSolnForPoisson::prescribed_flux_on_fixed_x_boundary(...)` which computes the prescribed flux g_0 required in the Neumann boundary condition (3). The function evaluates $\partial u_0 / \partial n = \mathbf{N} \cdot \nabla u_0$ for the normal direction specified by the vector $\mathbf{N} = (1, 0)^T$.

```

===== start_of_namespace=====
/// Namespace for exact solution for Poisson equation with "sharp step"
=====
namespace TanhSolnForPoisson
{
    /// Parameter for steepness of "step"
    double Alpha=1.0;

    /// Parameter for angle Phi of "step"
    double TanPhi=0.0;

    /// Exact solution as a Vector
    void get_exact_u(const Vector<double>& x, Vector<double>& u)
    {
        u[0]=tanh(1.0-Alpha*(TanPhi*x[0]-x[1]));
    }

    /// Source function required to make the solution above an exact solution
    void source_function(const Vector<double>& x, double& source)
    {

```

```

source = 2.0*tanh(-1.0+Alpha*(TanPhi*x[0]-x[1]))*
(1.0-pow(tanh(-1.0+Alpha*(TanPhi*x[0]-x[1])),2.0))*
Alpha*Alpha*TanPhi*TanPhi+2.0*tanh(-1.0+Alpha*(TanPhi*x[0]-x[1]))*
(1.0-pow(tanh(-1.0+Alpha*(TanPhi*x[0]-x[1])),2.0))*Alpha*Alpha;
}

// Flux required by the exact solution on a boundary on which x is fixed
void prescribed_flux_on_fixed_x_boundary(const Vector<double>& x,
double& flux)
{
//The outer unit normal to the boundary is (1,0)
double N[2] = {1.0, 0.0};
//The flux in terms of the normal is
flux =
-(1.0-pow(tanh(-1.0+Alpha*(TanPhi*x[0]-x[1])),2.0))*Alpha*TanPhi*N[0]+(
1.0-pow(tanh(-1.0+Alpha*(TanPhi*x[0]-x[1])),2.0))*Alpha*N[1];
}

} // end of namespace

```

1.2 The driver code

The driver code is very similar to that for the [pure Dirichlet problem](#): We set up the problem, check its integrity and define the problem parameters. Following this, we solve the problem for a number of α values and document the solution.

```

//=====start_of_main=====
// Demonstrate how to solve 2D Poisson problem with flux boundary
// conditions
//=====
int main()
{
//Set up the problem
//-----
//Set up the problem with 2D nine-node elements from the
//QPoissonElement family. Pass pointer to source function.
FluxPoissonProblem<QPoissonElement<2,3> >
problem(&TanhSolnForPoisson::source_function);

// Create label for output
//-----
DocInfo doc_info;
// Set output directory
doc_info.set_directory("RESLT");
// Step number
doc_info.number()=0;
// Check that we're ready to go:
//-----
cout << "\n\nProblem self-test ";
if (problem.self_test()==0)
{
cout << "passed: Problem can be solved." << std::endl;
}
else
{
throw OomphLibError("Self test failed",
OMP_CURRENT_FUNCTION,
OMP_EXCEPTION_LOCATION);
}

// Set the orientation of the "step" to 45 degrees
TanhSolnForPoisson::TanPhi=1.0;

// Initial value for the steepness of the "step"
TanhSolnForPoisson::Alpha=1.0;
// Do a couple of solutions for different forcing functions
//-----
unsigned nstep=4;
for (unsigned istep=0;istep<nstep;istep++)
{
// Increase the steepness of the step:
TanhSolnForPoisson::Alpha+=2.0;
cout << "\n\nSolving for TanhSolnForPoisson::Alpha="
<< TanhSolnForPoisson::Alpha << std::endl << std::endl;
// Solve the problem
problem.newton_solve();
//Output solution
problem.doc_solution(doc_info);

//Increment counter for solutions
doc_info.number()++;
}
} //end of main

```

1.3 The problem class

The problem class is virtually identical to that used for the `pure Dirichlet problem`: The only difference is that the class now contains an additional private data member, `FluxPoissonProblem::Npoisson_elements`, which stores the number of 2D "bulk" elements in the mesh, and an additional private member function `FluxPoissonProblem::create_flux_elements(...)`.

```

//===== start_of_problem_class=====
/// 2D Poisson problem on rectangular domain, discretised with
/// 2D QPoisson elements. Flux boundary conditions are applied
/// along boundary 1 (the boundary where x=L). The specific type of
/// element is specified via the template parameter.
//=====
template<class ELEMENT>
class FluxPoissonProblem : public Problem
{
public:

    /// Constructor: Pass pointer to source function
    FluxPoissonProblem(PoissonEquations<2>::PoissonSourceFctPt source_fct_pt);

    /// Destructor (empty)
    ~FluxPoissonProblem(){}

    /// Doc the solution. DocInfo object stores flags/labels for where the
    /// output gets written to
    void doc_solution(DocInfo& doc_info);
private:

    /// Update the problem specs before solve: Reset boundary conditions
    /// to the values from the exact solution.
    void actions_before_newton_solve();

    /// Update the problem specs after solve (empty)
    void actions_after_newton_solve(){}

    /// Create Poisson flux elements on the b-th boundary of the
    /// problem's mesh
    void create_flux_elements(const unsigned &b);

    /// Number of Poisson "bulk" elements (We're attaching the flux
    /// elements to the bulk mesh --> only the first Npoisson_elements elements
    /// in the mesh are bulk elements!)
    unsigned Npoisson_elements;

    /// Pointer to source function
    PoissonEquations<2>::PoissonSourceFctPt Source_fct_pt;
}; // end of problem class

```

[See the discussion of the `1D Poisson problem` for a more detailed discussion of the function type `PoissonEquations<2>::PoissonSourceFctPt`.]

1.4 The Problem constructor

The first part of the `Problem` constructor is identical to that used for the `pure Dirichlet problem`: We create a 2D Mesh consisting of 4x4 quadrilateral Poisson elements:

```

//=====start_of_constructor=====
/// Constructor for Poisson problem: Pass pointer to source function.
//=====
template<class ELEMENT>
FluxPoissonProblem<ELEMENT>::
    FluxPoissonProblem(PoissonEquations<2>::PoissonSourceFctPt source_fct_pt)
        : Source_fct_pt(source_fct_pt)
{
    // Setup mesh
    // # of elements in x-direction
    unsigned n_x=4;
    // # of elements in y-direction
    unsigned n_y=4;
    // Domain length in x-direction
    double l_x=1.0;
    // Domain length in y-direction
    double l_y=2.0;
    // Build and assign mesh
    Problem::mesh_pt()=new SimpleRectangularQuadMesh<ELEMENT>(n_x,n_y,l_x,l_y);

```

Before continuing, we store the number of 2D "bulk" Poisson elements in the variable `FluxPoissonProblem::Npoisson_element`:

```

    // Store number of Poisson bulk elements (= number of elements so far).
    Npoisson_elements=mesh_pt()->nelement();

```

Now, we need to apply the prescribed-flux boundary condition along the Neumann boundary $\partial D_{Neumann}$. The documentation for the `SimpleRectangularQuadMesh` shows that this boundary is mesh boundary 1.

The necessary steps are performed by the function `create_flux_elements(..)`, described in the section [Creating the flux elements](#) below.

```
// Create prescribed-flux elements from all elements that are
// adjacent to boundary 1 and add them to the (single) global mesh
create_flux_elements(1);
```

The rest of the constructor is very similar to its counterpart in the [pure Dirichlet problem](#). First we apply Dirichlet conditions on the remaining boundaries by pinning the nodal values. Next, we finish the problem setup by looping over all "bulk" Poisson elements and set the pointer to the source function. Since we have added the `PoissonFluxElements` to the `Mesh`, only the first `Npoisson_element` elements are "bulk" elements and the loop is restricted to these. We then perform a second loop over the `PoissonFluxElements` which need to be passed the pointer to the prescribed-flux function `TanhSolnForPoisson::prescribed_flux_on_←fixed_x_boundary(...)`. Finally, we generate the equation numbering scheme.

```
// Set the boundary conditions for this problem: All nodes are
// free by default -- just pin the ones that have Dirichlet conditions
// here.
unsigned n_bound = mesh_pt()->nboundary();
for(unsigned b=0;b<n_bound;b++)
{
    //Leave nodes on boundary 1 free
    if(b!=1)
    {
        unsigned n_node= mesh_pt()->nboundary_node(b);
        for (unsigned n=0;n<n_node;n++)
        {
            mesh_pt()->boundary_node_pt(b,n)->pin(0);
        }
    }
}
// Loop over the Poisson bulk elements to set up element-specific
// things that cannot be handled by constructor: Pass pointer to source
// function
for(unsigned e=0;e<Npoisson_elements;e++)
{
    // Upcast from GeneralisedElement to Poisson bulk element
    ELEMENT *el_pt = dynamic_cast<ELEMENT*>(mesh_pt()->element_pt(e));
    //Set the source function pointer
    el_pt->source_fct_pt() = Source_fct_pt;
}
// Total number of elements;
unsigned n_element=mesh_pt()->nelement();

// Loop over the flux elements (located at the "end" of the
// mesh) to pass function pointer to prescribed-flux function.
for (unsigned e=Npoisson_elements;e<n_element;e++)
{
    // Upcast from GeneralisedElement to Poisson flux element
    PoissonFluxElement<ELEMENT> *el_pt =
        dynamic_cast<PoissonFluxElement<ELEMENT*>>(mesh_pt()->element_pt(e));
    // Set the pointer to the prescribed flux function
    el_pt->flux_fct_pt() =
        &TanhSolnForPoisson::prescribed_flux_on_fixed_x_boundary;
}
// Setup equation numbering scheme
cout <<"Number of equations: " << assign_eqn_numbers() << std::endl;
} // end of constructor
```

1.5 Creating the flux elements

`oomph-lib` provides an element type `PoissonFluxElement`, which allows the application of Neumann (flux) boundary conditions along the "faces" of higher-dimensional "bulk" Poisson elements. `PoissonFluxElements` are templated by the type of the corresponding higher-dimensional "bulk" element, so that a `PoissonFlux←Element<QPoissonElement<2,3>>` is a one-dimensional three-node element that applies Neumann boundary conditions along the one-dimensional edge of a nine-node quadrilateral Poisson element. Similarly, a `PoissonFluxElement<QPoissonElement<3,2>>` is a two-dimensional quadrilateral four-node element that applies Neumann boundary conditions along the two-dimensional face of a eight-node brick-shaped Poisson element; etc.

The constructor of the `PoissonFluxElement` takes two arguments:

- a pointer to the corresponding bulk element
- the index `face_index` of the face that is to be constructed. The convention for two-dimensional Q-type elements is that the `face_index` is $-(i + 1)$ when the coordinate s_i is fixed at its minimum value over the face and $+(i + 1)$ when s_i is fixed at its maximum value over the face

The layout of the elements in the `SimpleRectangularQuadMesh` is sufficiently simple to allow the direct

determination of the face index: Elements 3, 7, 11 and 15 are located next to mesh boundary 1 and along this boundary the element's local coordinate s_0 has a constant (maximum) value of +1.0. Hence we need to set `face_index=1`

In more complicated meshes, the determination of the face index can be more difficult (or at least very tedious), especially if a Mesh has been refined non-uniformly. The generic Mesh class therefore provides helper functions to determine the required face index for all elements adjacent to a specified Mesh boundary. This allows the creation of the flux elements by the following, completely generic procedure: We use the function `Mesh::boundary_element_pt(...)` to determine the "bulk" elements that are adjacent to the Neumann boundary, and obtain `face_index` from the function `Mesh::face_index_at_boundary(...)`. We pass the parameters to the constructor of the `PoissonFluxElement` and add the (pointer to) the newly created element to the Problem's mesh.

```

//=====start_of_create_flux_elements=====
// Create Poisson Flux Elements on the b-th boundary of the Mesh
//=====
template<class ELEMENT>
void FluxPoissonProblem<ELEMENT>::create_flux_elements(const unsigned &b)
{
    // How many bulk elements are adjacent to boundary b?
    unsigned n_element = mesh_pt()->nboundary_element(b);
    // Loop over the bulk elements adjacent to boundary b?
    for(unsigned e=0;e<n_element;e++)
    {
        // Get pointer to the bulk element that is adjacent to boundary b
        ELEMENT* bulk_elem_pt = dynamic_cast<ELEMENT*>(
            mesh_pt()->boundary_element_pt(b,e));

        // What is the index of the face of the bulk element at the boundary
        int face_index = mesh_pt()->face_index_at_boundary(b,e);
        // Build the corresponding prescribed-flux element
        PoissonFluxElement<ELEMENT*> flux_element_pt = new
        PoissonFluxElement<ELEMENT>(bulk_elem_pt,face_index);
        //Add the prescribed-flux element to the mesh
        mesh_pt()->add_element_pt(flux_element_pt);
    } //end of loop over bulk elements adjacent to boundary b
} // end of create_flux_elements

```

1.6 "Actions before solve"

The function `Problem::actions_before_newton_solve()` is identical to that in the `pure Dirichlet problem` and is only listed here for the sake of completeness:

```

//=====start_of_actions_before_newton_solve=====
// Update the problem specs before solve: Reset boundary conditions
// to the values from the exact solution.
//=====
template<class ELEMENT>
void FluxPoissonProblem<ELEMENT>::actions_before_newton_solve()
{
    // How many boundaries are there?
    unsigned n_bound = mesh_pt()->nboundary();

    //Loop over the boundaries
    for(unsigned i=0;i<n_bound;i++)
    {
        // Only update Dirichlet nodes
        if (i!=1)
        {
            // How many nodes are there on this boundary?
            unsigned n_node = mesh_pt()->nboundary_node(i);

            // Loop over the nodes on boundary
            for (unsigned n=0;n<n_node;n++)
            {
                // Get pointer to node
                Node* nod_pt = mesh_pt()->boundary_node_pt(i,n);

                // Extract nodal coordinates from node:
                Vector<double> x(2);
                x[0]=nod_pt->x(0);
                x[1]=nod_pt->x(1);

                // Compute the value of the exact solution at the nodal point
                Vector<double> u(1);
                TanhSolnForPoisson::get_exact_u(x,u);

                // Assign the value to the one (and only) nodal value at this node
                nod_pt->set_value(0,u[0]);
            }
        }
    }
}

```

```
} // end of actions before solve
```

1.7 Post-processing

The post-processing, implemented in `doc_solution(...)` is similar to that in `pure Dirichlet problem`. However, since the `PoissonFluxElements` are auxiliary elements which are only used to apply Neumann boundary conditions on adjacent "bulk" elements, their error checking function is not implemented. We cannot use the generic `Mesh` member function `Mesh::compute_error()` to compute an overall error since this function would try to execute the "broken virtual" function `GeneralisedElement::compute_error(...)`; see the section `Exercises and Comments` for a more detailed discussion of "broken virtual" functions. Error checking would therefore have to be implemented "by hand" (excluding the `PoissonFluxElements`), or a suitable error measure would have to be defined in the `PoissonFluxElements`.

We do not pursue either approach here because the difficulty is a direct consequence of our (questionable) decision to include elements of different types in the same `Mesh` object. While this is perfectly "legal" and often convenient, the practice introduces additional difficulties in refineable problems and we shall demonstrate `an alternative approach in another example`.

```

//=====start_of_doc=====
/// Doc the solution: doc_info contains labels/output directory etc.
//=====
template<class ELEMENT>
void FluxPoissonProblem<ELEMENT>::doc_solution(DocInfo& doc_info)
{
    ofstream some_file;
    char filename[100];
    // Number of plot points
    unsigned npts;
    npts=5;
    // Output solution
    //-----
    sprintf(filename, "%s/soln%i.dat", doc_info.directory().c_str(),
            doc_info.number());
    some_file.open(filename);
    mesh_pt()->output(some_file, npts);
    some_file.close();
    // Output exact solution
    //-----
    sprintf(filename, "%s/exact_soln%i.dat", doc_info.directory().c_str(),
            doc_info.number());
    some_file.open(filename);
    for(unsigned e=0; e<Npoisson_elements; e++)
    {
        ELEMENT *el_pt = dynamic_cast<ELEMENT*>(mesh_pt()->element_pt(e));
        el_pt->output_fct(some_file, npts, TanhSolnForPoisson::get_exact_u);
    }
    some_file.close();
    // Can't use black-box error computation routines because
    // the mesh contains two different types of elements.
    // error function hasn't been implemented for the prescribed
    // flux elements...
} // end of doc

```

1.8 Exercises and Comments

1. What happens if you do not create the `PoissonFluxElements` but leave the nodes on the Neumann boundary un-pinned? Compare the computational result to those obtained when you set the prescribed flux to zero, $g_0 = 0$. Does this make sense? [Hint: Remember the "natural" boundary conditions for Poisson's equation].

2. Try to compute the error of the computed solution by re-instating the global error checking procedure

```

// Doc error and return of the square of the L2 error
//-----
double error, norm;
sprintf(filename, "%s/error%i.dat", doc_info.directory().c_str(),
        doc_info.number());
some_file.open(filename);
mesh_pt()->compute_error(some_file, TanhSolnForPoisson::get_exact_u,
                        error, norm);

some_file.close();

```

in `doc_solution(...)`. What happens when you run the code? The code's behaviour illustrates a general convention in `oomph-lib`:

A general convention

Some `oomph-lib` functions, such as `GeneralisedElement::compute_error(...)`, are defined as virtual functions in a base class to allow the implementation of generic procedures such as `Mesh::compute_error(...)`, which loops over all of the `Mesh`'s constituent elements and executes their specific `compute_error(...)` member functions. In some rare cases (such as the one encountered here), the implementation of a particular virtual function might not be sensible for a specific element. Therefore, rather than forcing the "element-writer" to implement a dummy version of this function in his/her derived class (by declaring it as a pure virtual function in the base class), we provide a **"broken virtual"** implementation in `GeneralisedElement`. If the function is (re-)implemented in a derived element, the broken version is ignored; if the function is not overloaded, the broken virtual function throws an error, allowing a traceback in a debugger to find out where the broken function was called from. We note that this practice is not universally approved of in the C++ community but we believe it to have its place in situations such as the one described here.

Incidentally, the code discussed above contains another (possibly more convincing) example of why "broken virtual" functions can be useful. Recall that the creation of the `PoissonFluxElements` on the Neumann boundary was greatly facilitated by the availability of the helper functions `Mesh::boundary_element_pt(...)` and `Mesh::face_index_at_boundary(...)`. These functions are implemented in the generic `Mesh` base class and determine the relevant parameters via lookup schemes that are stored in that class. Obviously, the lookup schemes need to be set up when a specific `Mesh` is built and this task can involve a considerable amount of work (see also [Setting up the boundary lookup schemes](#)). Since the lookup schemes are useful but by no means essential, the three helper functions are again implemented as broken virtual functions. If the functions are called before the required lookup schemes have been set up, code execution stops with a suitable warning message.

3. Implement the error computation by hand to familiarise yourself with the way in which the `Mesh::compute_error(...)` function works.

1.8.1 Setting up the boundary lookup schemes

`oomph-lib` provides a range of helper functions that set up the boundary lookup schemes for specific `Mesh` classes. For instance, the `QuadMeshBase` class forms a base class for all `Meshes` that consist of two-dimensional quadrilateral elements and has a member function `QuadMeshBase::setup_boundary_element_info()` which can be called from the constructor of any derived `Mesh` class to set up the lookup schemes required by `Mesh::boundary_element_pt(...)` and `Mesh::face_index_at_boundary(...)`.

1.9 Source files for this tutorial

- The source files for this tutorial are located in the directory:

```
demo_drivers/poisson/two_d_poisson_flux_bc/
```

- The driver code is:

```
demo_drivers/poisson/two_d_poisson_flux_bc/two_d_poisson_flux_bc.cc
```

1.10 PDF file

A [pdf version](#) of this document is available.